



SCM660
for Surgical Microscope

Developed for dentists

10 years of deep cultivation in the dental industry,
In-depth understanding of the needs
of refined dental treatment

Enjoy better visualization during dental surgery, benefit from increased physical comfort.

It brings clearer and better comfort to the user, allowing you to fully engage in the treatment work.

Among them, greatly optimize your treatment results.

We have the spirit of persevering in research and development

SOCO adheres to the spirit of craftsmanship, SCM660 more than 300 precision departments.

The parts have undergone the most rigorous testing and screening, and each part is backed by.

It has a strong global supply chain support.



Excellent optical performance

More comfortable and clearer immersive optical experience, allowing doctors to.

It can easily cope with the needs of refined treatment, and at the same time enjoy the treatment process fun of.

- ※ Apochromatic optical system
- ※ High eye point 12.5X wide-angle eyepiece, diopter adjustable
- ※ Five-level magnification factor
- ※ Zoom large objective lens
- ※ Efficient and powerful lighting system
- ※ Five kinds of lighting spots are adjustable

Powerful stand system

The powerful stand system of SCM660 can easily help you at work. Always find the right balance in the environment to achieve the ideal body position and uprightiness.

Correct posture will allow you to avoid occupational diseases caused by poor posture.

- ※ 0~180° variable angle binocular tube
- ※ Convenient interpupillary distance adjustment function
- ※ Host balance force adjustment device
- ※ Balance arm balance force adjustment device
- ※ Bracket system damping adjustment device
- ※ German high-quality bearings and imported gas springs
- ※ Reserve HDMI transmission interface
- ※ Microscope integrated base
- ※ Medical silent casters

Excellent optical performance

- ※Apochromatic optical system
- ※High eye point 12.5X wide-angle eyepiece, diopter adjustable
- ※Five-level magnification factor
- ※Zoom large objective lens
- ※Efficient and powerful lighting system
- ※Five kinds of lighting spots are adjustable

High eye point 12.5X wide-angle eyepiece

the total magnification is 2.1x~26.6x to meet your different

Large zoom objective
Working distance: 200mm-415mm

Efficient and powerful lighting system

200mm

415mm



Apochromatic Optical System



The SCM660 uses an apochromatic optical system that can correct red, The refraction of different wavelengths of green and blue visible light ensures that in each Magnification levels reveal complete detail.

High eye point 12.5X wide-angle eyepiece



High eye point wide-angle eyepieces allow for a wider field of view, making it easier to use. The user's eyes can be easily observed without being close to the eyepieces. The photometric design is more suitable for spectacle wearers.

Five-level amplification factor



SCM660 has five-level amplification factor: (0.4, 0.6, 1, 1.6, 2.5), the total magnification is 2.1x~26.6x to meet your different Treatment needs.



Large zoom objective Working distance: 200mm-415mm

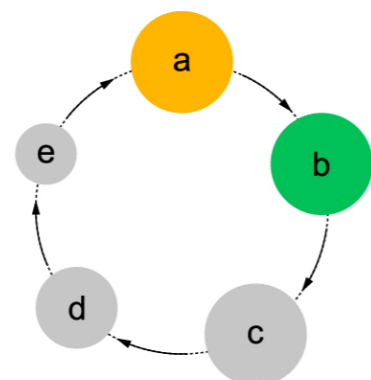
Large zoom objective for general dentistry with a working distance of. Between 200mm and 415mm, the focusing range completely covers the entire oral depth, can improve efficiency and focus, while keeping Ergonomic.

Efficient and powerful lighting system

The SCM660 lighting system has high color perception and color reproduction, making it easier to distinguish treatment details, especially for small, deep, and narrow cavities. 5 kinds of lighting spots are optional, with lower energy consumption and longer service life. SCM660 has the function of raising the balance arm to automatically turn off the light source and pulling it down to automatically turn on the light source.

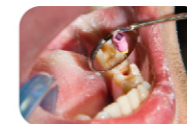
Five illumination spots are optional

Allows you to focus more on the treatment area when you choose a small to medium white spot. Lighting of the area to avoid interference caused by light reflection in other areas, It also gives patients a more comfortable treatment experience.



- a. Orange spot
- b. Green spot
- c. Large white spot
- d. White light spot
- e. Small white spot

White, green, orange filter modes:



White light source mode:
High color rendering index, more color lifelike.



Orange light source mode:
Resin material can be retarded curing time.



Green light source mode:
See clearly in the surgical environment tiny nerve blood vessels.

Standard large objective lens protection cover:



The standard large objective lens protection cover can avoid splashing of water droplets, impurities, etc. brought into the large objective lens during treatment, resulting in large objects mirror damage, and at the same time easy to clean.



The key parts are all made in Germany
High-quality bearings

Microscope balance arm balance force adjustment device

Convenient interpupillary distance adjustment function

Bracket system damping adjustment device

The balance force adjustment device of the microscope host

With built-in cable design, more clean look

Integrated base,
Quiet Medical Casters

Powerful stand system

- ※0~180°variable angle binocular tube
- ※Convenient interpupillary distance adjustment function
- ※The balance force adjustment device of the microscope host
- ※Microscope balance arm balance force adjustment device
- ※Bracket system damping adjustment device
- ※German high-quality bearings and imported gas springs
- ※ Reserve HDMI transmission interface
- ※Microscope integrated base
- ※Medical silent casters

0~180° variable angle binocular tube



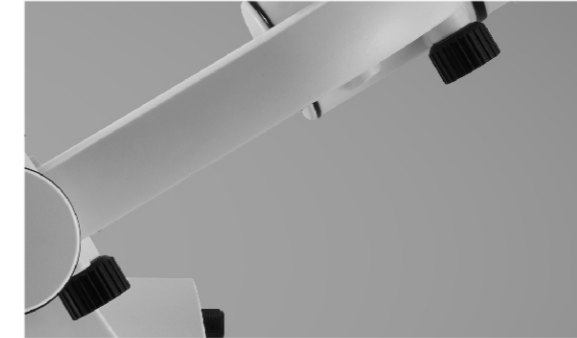
0~180° adjustable binocular tube improves the comfort angle when you work.
Moderation and flexibility for wider viewing

Interpupillary distance adjustment



The interpupillary distance adjustment function helps you adjust to suit yourself
The interpupillary distance, the interpupillary distance adjustment range is 55-75mm.

Host balance force adjustment device



The microscope host can adjust the torque and damping according to the load to maintain the balance of the microscope; after loading digital accessories such as cameras and video cameras, the host can still be adjusted to keep the host in a balanced state.

Bracket system damping adjustment device



When you adjust the microscope bracket system to any position, the microscope bracket system can hover.

German high-quality gas spring



The key parts of SCM660 adopt German high-quality gas spring. Allows you to provide better mechanics when moving the microscope arm.

Balance arm balance force adjustment device



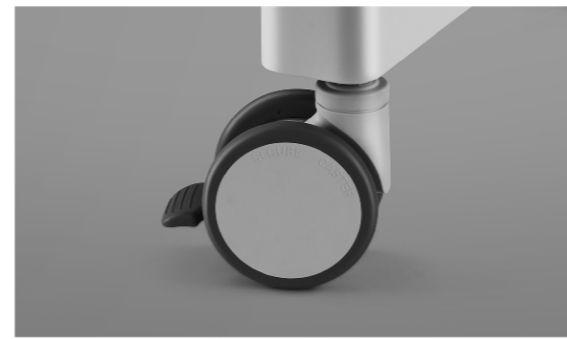
help you adjust the support force feel of the balance arm according to the load of the microscope host.

Integrated base



The integrated base provides a more stable support effect, and at the same time integrates the power supply of the whole machine, the appearance design is simple and easy to maintain.

Quiet Medical Casters



When you need to move the microscope, the 3-inch silent medical casters can be quieter and more stable when moving.

Reserve HDMI transmission interface



Reserve the HDMI transmission interface to reserve the upgrade space when you upgrade and install the video system later.

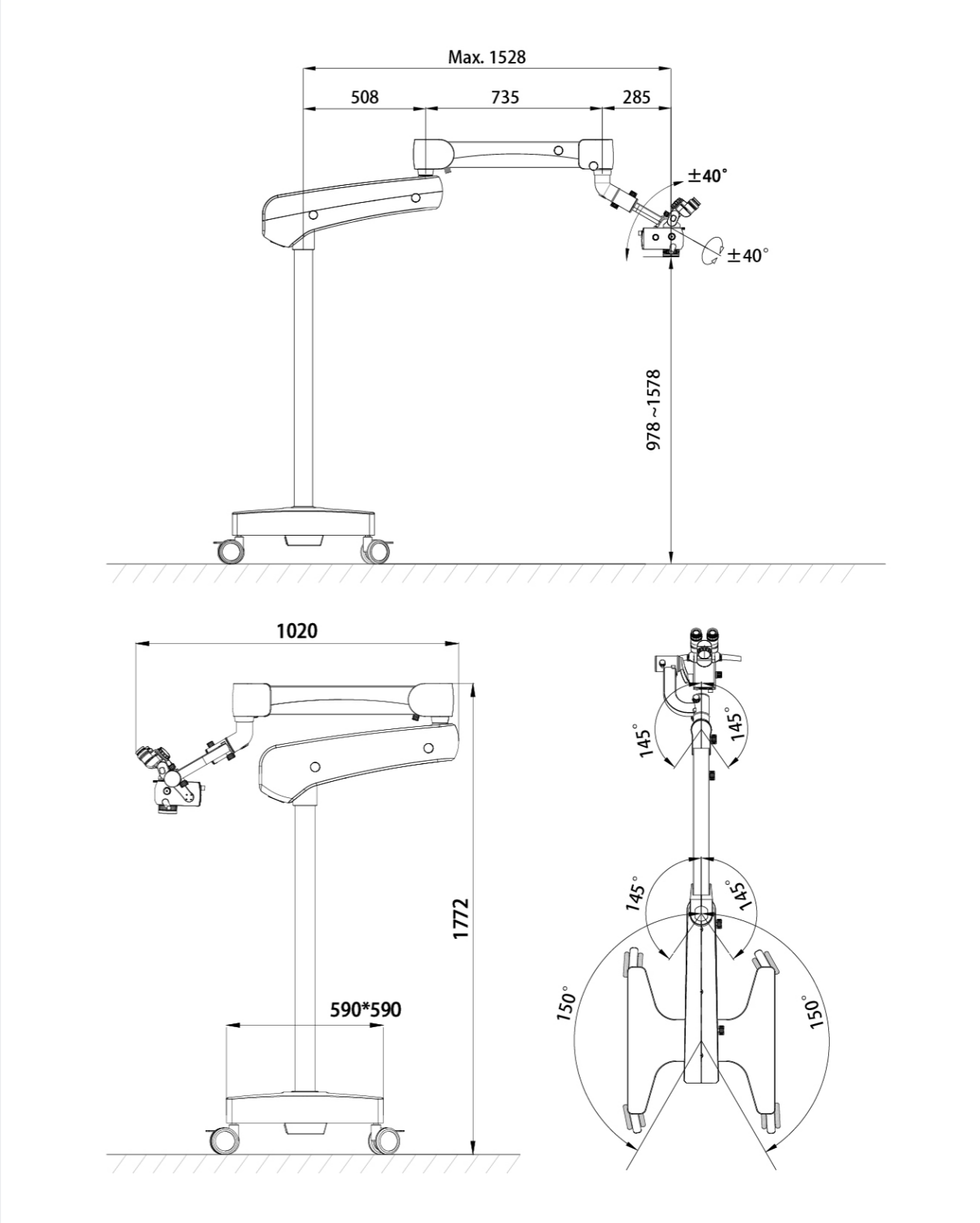
Order code:
SCM660-ST



Product Size:
SCM660-ST

SCM660 floor stand

Unit: mm



Technical parameter

Optical system	Apochromatic Optical System
Amplification system	Amplification factor 0.4x~2.5x Total magnification 2.1x~26.6x
Field of view diameter	10.3mm-102.9mm
Binocular Tube	0°-180° variable angle binocular tube, with interpupillary distance adjustment mechanism, the interpupillary distance adjustment range is 55-75mm High eye point 12.5x wide-angle eyepiece, eye cup height adjustable, diopter compensation range ±7D
Zoom system	Large zoom objective, variable working distance 200-415mm
Lighting system	Integrated true color LED lighting color temperature 6000K, color rendering index>90%, illumination>65000Lux Integrated orange filter and green filter, the white spot can be adjusted in three sizes: large, medium and small
Bracket system	Host balance force adjustment device Balance arm balance force adjustment device Balance arm: gyration radius 508mm, ±145° rotation Swivel arm: Rotation radius 735mm, ±150° rotation, up and down travel range (up/down) 600mm Maximum arm net extension: 1528mm Integrated base, 3-inch silent medical casters, base size: 590×590mm
Electrical parameters	Input voltage: AC100-240V, 50/60Hz Power: 20VA Fuse: F1A 250V
Package dimensions	Net weight: 104kg Gross weight: 145kg Packaging size: 1245×895×630mm (length×width×height)